

FIG. 1

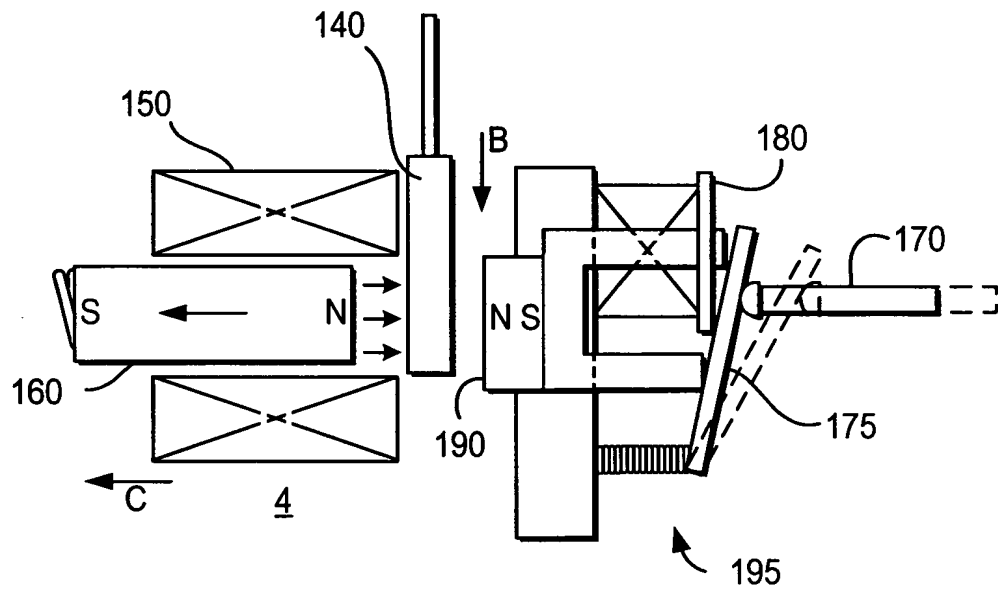


FIG. 2



Annotated
Marked-Up Drawings

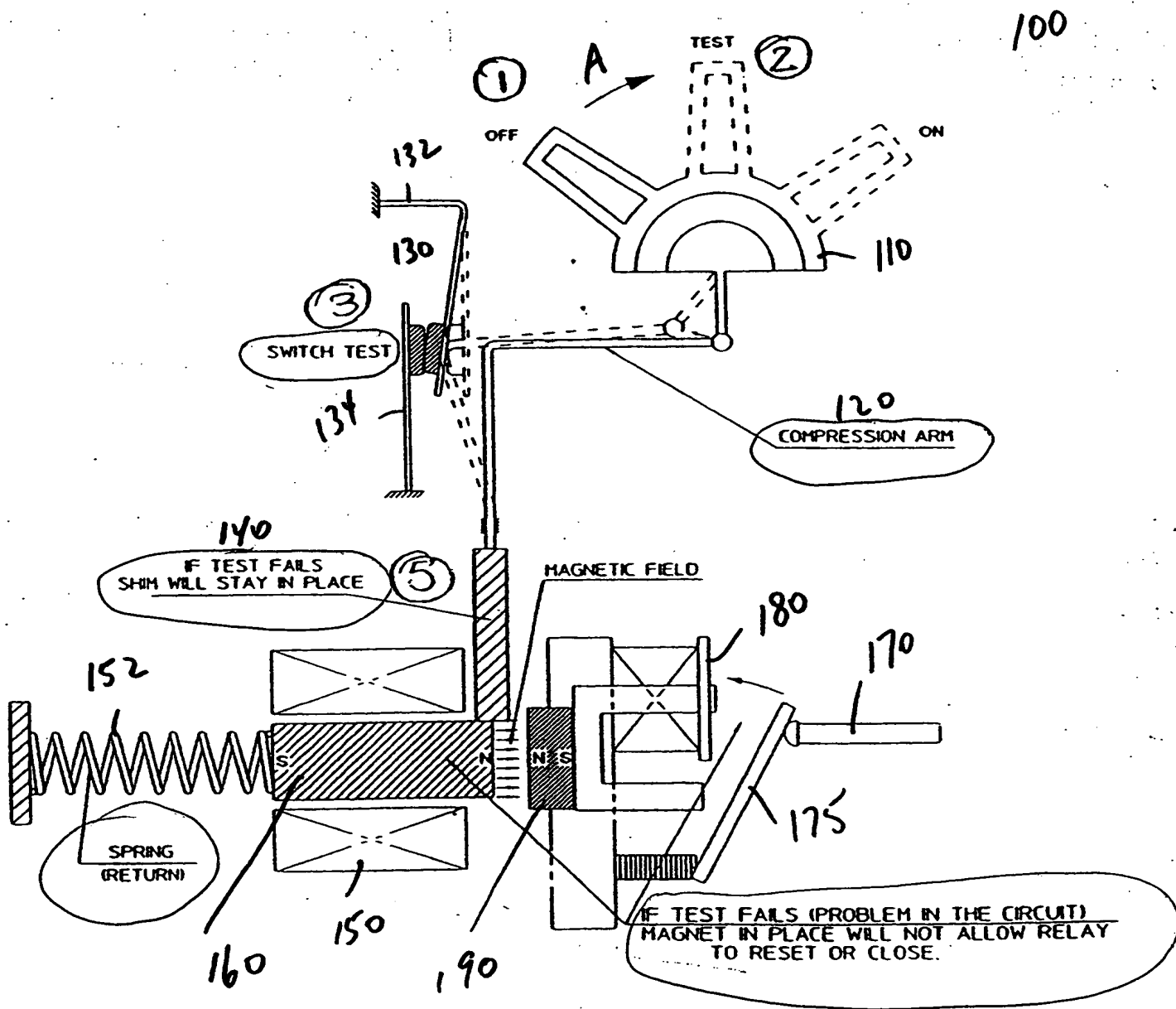


Fig.1

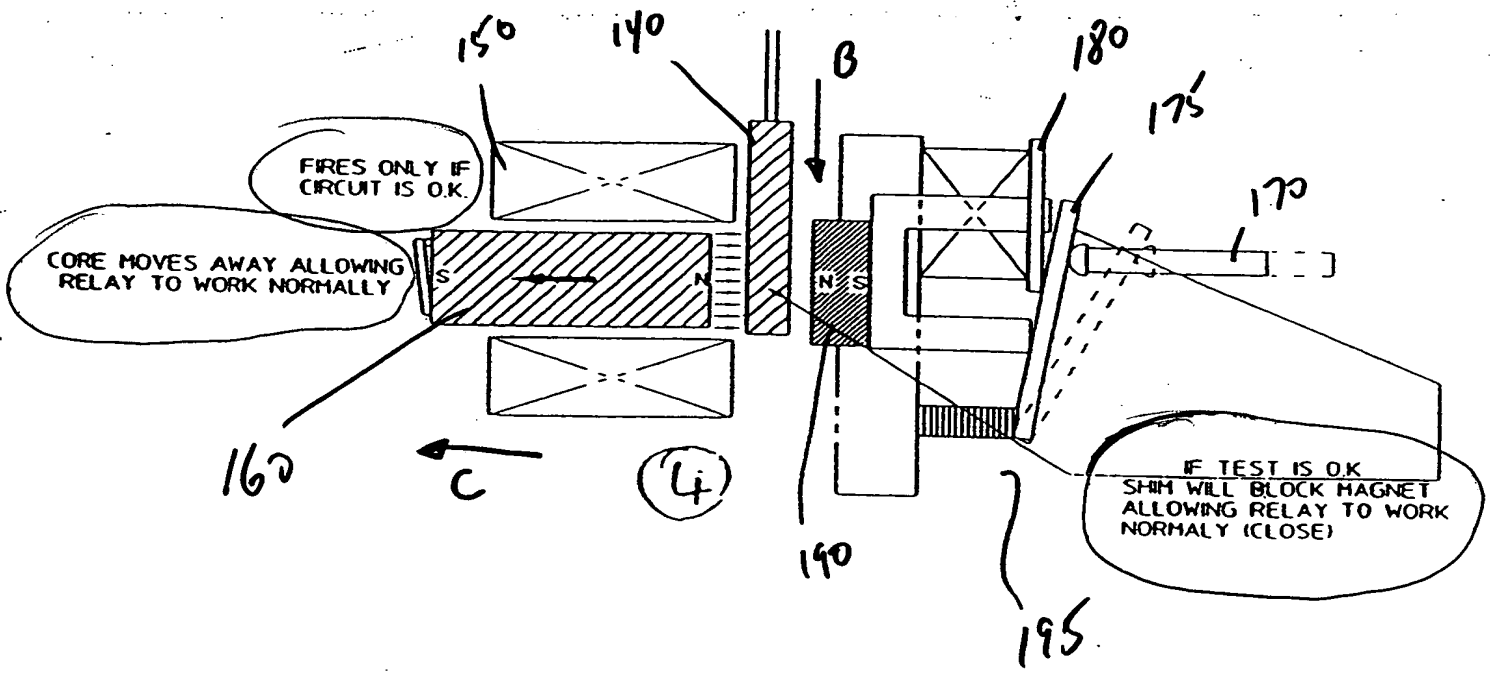


Fig. 2